



Simple and easy appearance, in line with contemporary aesthetic concept. The product has the structure and appearance design patent. High efficiency constant current driver, ensure the light source is maximum used. can be easily installed in any type of space, to create amazing light effects, The LED is set back to minimize glare. The main body is made of die-cast aluminum that guarantees optimum heat dissipation with single optic lens family in the most popular sizes and beams with excellent color rendering, and Supreme light quality.

**FIELDS OF APPLICATION:**

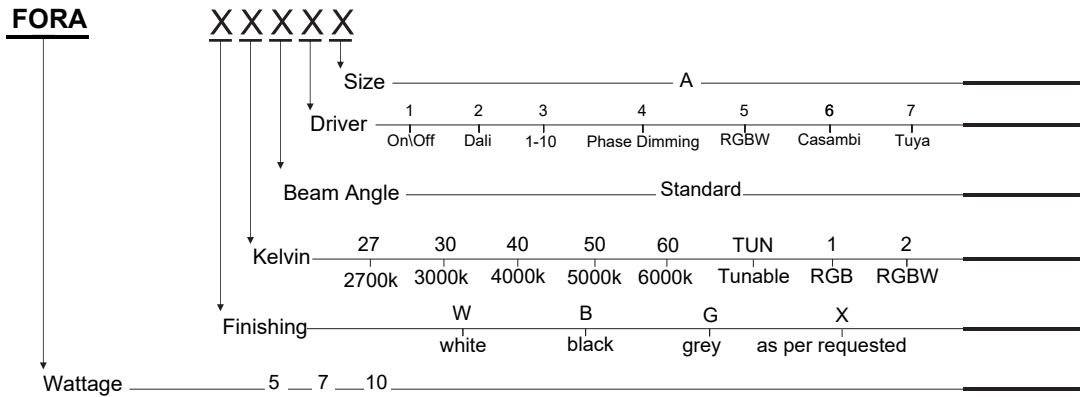
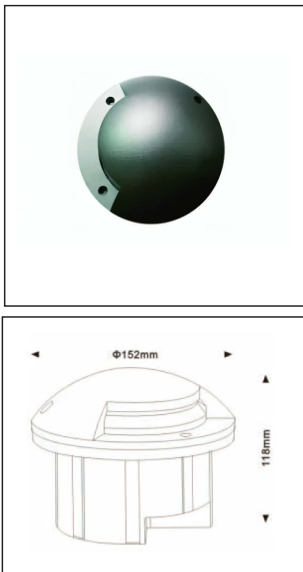
Garden, landscape lighting, etc.

The FORA In-ground light adaptable for outdoor applications.

- High Lumen Efficacy 115 lm/W
- Front cover - die-casting grey powder coated aluminum
- Body - die-casting grey powder coated aluminum
- T - 60-80um Adhesion of IOS class1
- Optical lens efficiency>90%
- PCB High heart-conductive rata aluminum,conductivity>2.0w/mk
- Driver - High efficiency, low flicker driver
- Gasket - Molding shaped silicone seal
- Wire - 0.5m H05RN-F 2x1.0mm2
- Glowing Wire Test - 850°
- Cable gland - Nickel coated copper/ABS
- Mounting sleeve - ABS/PVC Temperature - of=20 °C ~ of max=40 °C

Model --- **FORA**

**FORA-A-1-120-27-W-10W**



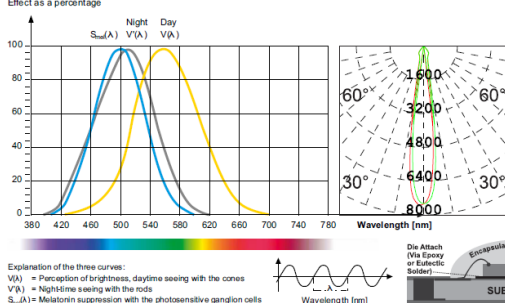
Lighting Customization Solution can offer you modifications for environment with higher options as a customized product.

IP67 COB McA Step 3 24V DC

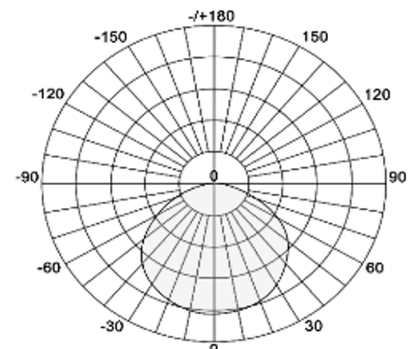


A - Ø 152-118mm

Relative spectral perception of brightness and melanopic effect



Available Accessories



LED life time		Operating time 1.000 h										
Lamp Lumen Maintenance Factor	Lamp Survival Factor	1	10	20	30	40	50	60	70	80	90	100
L80	50.000 h	LLMF	1	0.96	0.92	0.88	0.84	0.80	0.76	0.72	0.68	0.60
		LSF	1	1	1	1	1	1	0.99	0.99	0.99	0.98
L80	100.000 h	LLMF	1	0.98	0.96	0.94	0.92	0.90	0.88	0.86	0.84	0.80
		LSF	1	1	1	1	1	1	1	0.99	0.99	0.99



LED

AC220-240V

series wiring

