



Simple and easy appearance, in line with contemporary aesthetic concept. The product has the structure and appearance design patent. High efficiency constant current driver, ensure the light source is maximum used. can be easily installed in any type of space, to create amazing light effects, The LED is set back to minimize glare. The main body is made of die-cast aluminum that guarantees optimum heat dissipation with single optic lens family in the most popular sizes and beams with excellent color rendering, and Supreme light quality.

FIELDS OF APPLICATION:

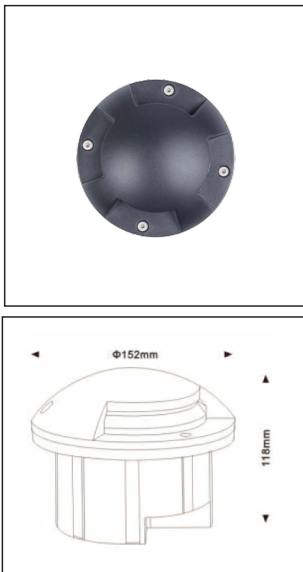
Garden, landscape lighting, etc.

The FORA In-ground light adaptable for outdoor applications.

- High Lumen Efficacy 115 lm/W
- Front cover - die-casting grey powder coated aluminum
- Body - die-casting grey powder coated aluminum
- T - 60-80um Adhesion of IOS class1
- Optical lens efficiency>90%
- PCB High heart-conductive rata aluminum,conductivity>2.0w/mk
- Driver - High efficiency, low flicker driver
- Gasket - Molding shaped silicone seal
- Wire - 0.5m H05RN-F 2x1.0mm2
- Glowing Wire Test - 850°
- Cable gland - Nickel coated copper/ABS
- Mounting sleeve - ABS/PVC Temperature - of=20 °C ~ of max=40 °C

Model --- FORA

FORA-A-1-27-W-10W



FORA

X X X X X

Size	A							
Driver	1	2	3	4	5	6	7	
	On/Off	Dali	1-10	Phase Dimming	RGBW	Casambi	Tuya	
Beam Angle	Standard							
Kelvin	27	30	40	50	60	TUN	1	2
	2700k	3000k	4000k	5000k	6000k	Tunable	RGB	RGBW
Finishing	W		B		G	X		
	white		black		grey	as per requested		
Wattage	5 7 10							

Lighting Customization Solution can offer you modifications for environment with higher options as a customized product.

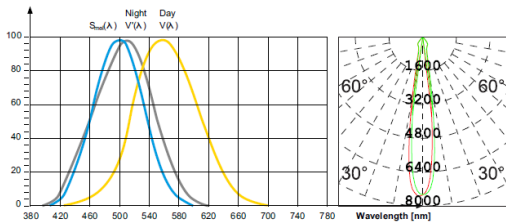
IP67 COB McA Step 3 24V DC



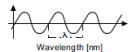
A - Ø 152-118mm

Relative spectral perception of brightness and melanopic effect

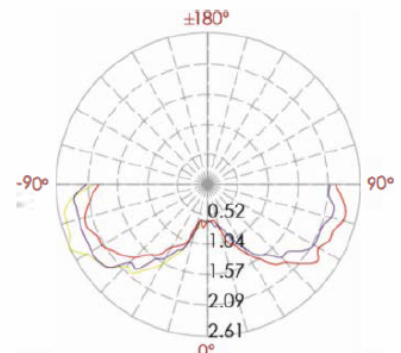
Effect as a percentage



Explanation of the three curves:
 V(A) = Perception of brightness, daytime seeing with the cones
 V(N) = Nighttime seeing with the rods
 S_m(λ) = Melatonin suppression with the photosensitive ganglion cells



Available Accessories



LED life time		Operating time 1.000 h										
Lamp Lumen Maintenance Factor	Lamp Survival Factor	1	10	20	30	40	50	60	70	80	90	100
L80	50.000 h	LLMF	1	0.96	0.92	0.88	0.84	0.80	0.76	0.72	0.68	0.60
		LSF	1	1	1	1	1	1	0.99	0.99	0.99	0.98
L80	100.000 h	LLMF	1	0.98	0.96	0.94	0.92	0.90	0.88	0.86	0.84	0.80
		LSF	1	1	1	1	1	1	1	0.99	0.99	0.99



LED

AC220-240V

series wiring

